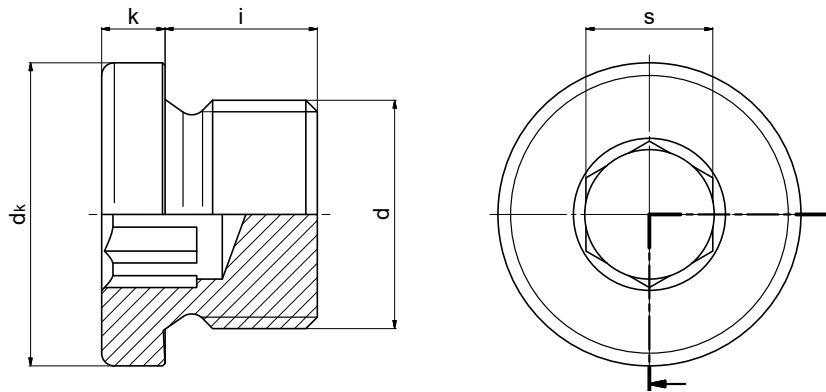


DIN 908

Screw plug

with flange and internal hexagon



Application areas:

- Mechanical engineering, gear manufacturing, automotive and many others
- for counter bores as per DIN 3852-1 and ISO 3852-2
- usually for use with sealing rings in acc. with DIN 7603

Material:

- Steel 11SMnPb30+C (1.0718)
DIN EN 10227-3 ultrasonic and crack tested or "HD-quality"
- Stainless steel 1.4305 / 1.4571
- other materials upon request

Coating:

- Cr-(VI) free: nano passivated A3K/Zn Nano (ISO 4042)
- ZNNI as per VDA 235.104-25
- other coatings upon request

d		k	dk	i	s	Weight
Metric fine thread	Pipe thread					
DIN 13	DIN EN ISO 228	+0,5	h14	±0,2	D12	~kg per 100 pieces
M8 x 1*	—	3	12	8	4	0,45
M10 x 1	G 1/8 A	3	14	8	5	0,63
M12 x 1,5	—	3	17	12	6	1,13
—	G 1/4 A	3	18	12	6	1,46
M14 x 1,5	—	3	19	12	6	1,60
M16 x 1,5	—	3	21	12	8	1,90
—	G 3/8 A	3	22	12	8	2,14
M18 x 1,5	—	4	23	12	8	2,83
M20 x 1,5	—	4	25	14	10	3,75
—	G 1/2 A	4	26	14	10	4,08
M22 x 1,5	—	4	27	14	10	4,75
M24 x 1,5	—	4	29	14	12	5,35
M26 x 1,5	—	4	31	16	12	6,87
—	M27 x 2	4	32	16	12	7,35
M30 x 1,5	M30 x 2	4	36	16	17	8,40
—	M33 x 2	5	39	16	17	11,10
M36 x 1,5	M36 x 2	5	42	16	19	13,40
M38 x 1,5	—	5	44	16	19	14,90
—	M39 x 2	5	46	16	19	16,30
M42 x 1,5	M42 x 2	5	49	16	22	18,70
M45 x 1,5	M45 x 2	5	52	16	22	21,50
M48 x 1,5	M48 x 2	5	55	16	24	24,60
M52 x 1,5	M52 x 2	5	60	16	24	30,20
—	—	5	62	20	32	32,00
—	M56 x 2	5	64	20	32	38,60
—	M60 x 2	5	68	20	32	44,50
—	M64 x 2	5	72	20	32	53,00

*This thread size is not contained in DIN 908! Measurements based on DIN 908.