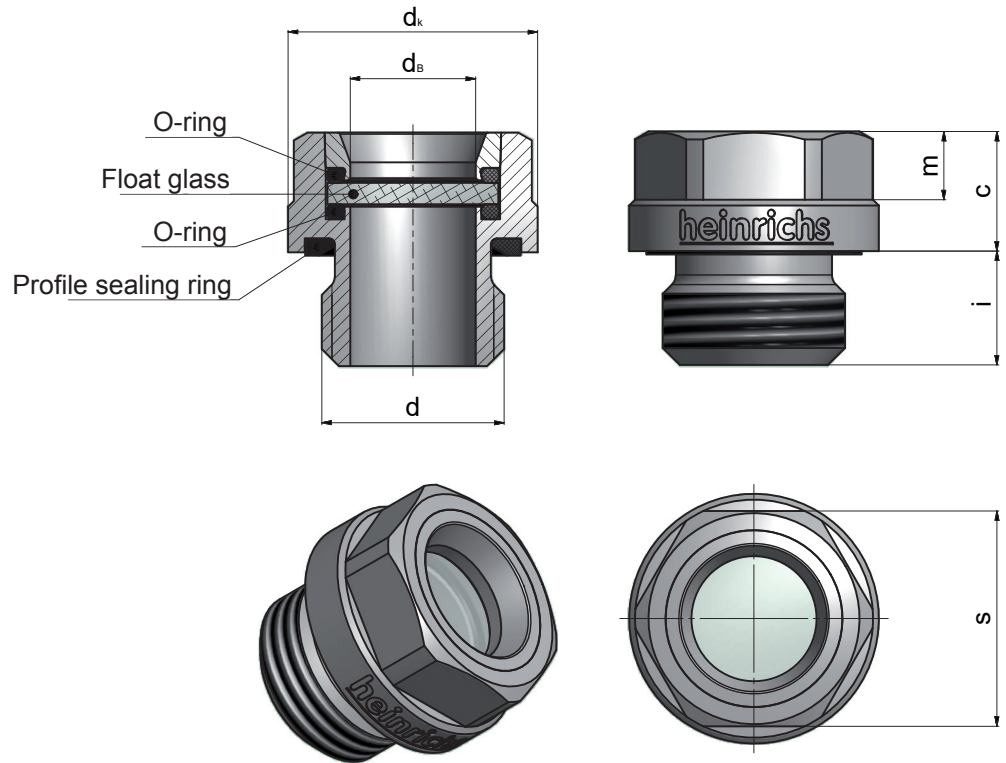


# HN OSG

## Oil Level Sight-Glass



### Application areas:

- Gearbox components
- ATEX compliant version upon request
- Designed for an operating pressure between -0,05 MPa (-0,5 bar) and 0,3 MPa (3 bar)
- Appropriate for a temperature range of -30°C until +90°C
- For counter bores as per DIN 3852-2 and EN ISO 9974-1
- Can be loosened and tightened repeatedly

### Material:

- Steel 11SMnPB30+C (1.0718)  
DIN EN 10227-3 ultrasonic and crack tested or "HD-quality"
- Stainless steel 1.4305 / 1.4571
- Other materials upon request

### Coating:

- Cr-(VI) free: nano passivated  
A3K/Zn Nano (ISO 4042)
- Other coatings upon request

### Special features:

- The sealing of the glass plate is done with two high elastic o-rings, which also cushion effectively the sight glass against pressure surges and vibrations

| d                  |                | c    | d <sub>k</sub> | d <sub>B</sub> | i    | m    | s   | Tightening torque | Weight             |
|--------------------|----------------|------|----------------|----------------|------|------|-----|-------------------|--------------------|
| Metric fine thread | Pipe threads   |      |                |                |      |      |     |                   |                    |
| DIN 13             | DIN EN ISO 228 | ±0,3 | h14            | ±0,3           | ±0,2 | ±0,2 | h14 | Nm*               | ~kg per 100 pieces |
| M10 x 1            | G 1/8 A        | 9,5  | 14             | 7              | 8    | 6    | 13  | 8                 | 0,75               |
| M12 x 1,5          | —              | 10,5 | 17             | 8              | 10   | 6    | 15  | 14                | 1,35               |
| M14 x 1,5          | G 1/4 A        | 10,5 | 18,8           | 8              | 10   | 6    | 16  | 16                | 1,90               |
| M16 x 1,5          | G 3/8 A        | 10,5 | 21,9           | 11             | 10   | 6    | 19  | 30                | 2,20               |
| M22 x 1,5          | G 1/2 A        | 12,5 | 27             | 14             | 12   | 7    | 24  | 45                | 4,75               |
| M27 x 2            | G 3/4 A        | 14   | 32             | 18             | 14   | 8    | 30  | 70                | 7,60               |
| M33 x 2            | G 1 A          | 14,5 | 39             | 24             | 14   | 8    | 36  | 100               | 10,30              |
| M42 x 2            | G 1 1/4 A      | 15   | 49             | 31             | 14   | 9    | 46  | 160               | 18,15              |

\* Recommendation for counter threads made of untempered steel. Its reaction depends on the material, coating and quality and must be verified by the customer in each specific application case!